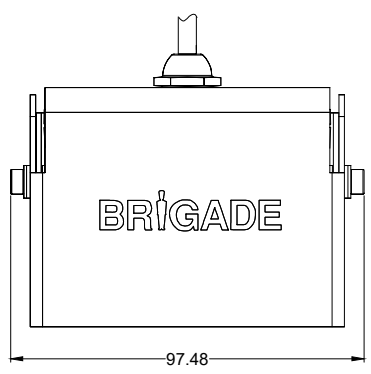
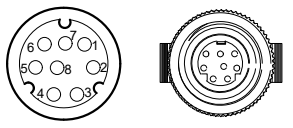


BRIGADE MODEL NO.	DESCRIPTION	MODEL	PN
VBV-2230C-AI-D04	AI-PEDESTRIAN DETECTION (1080P) REAR FACING CAMERA	D04	7396
VBV-2220C-AI-D04	AI-PEDESTRIAN DETECTION (1080P) FORWARD FACING CAMERA	D04	7321

Revision Notes.				
APA:	Drawn:	Checked:	Approved:	Date:

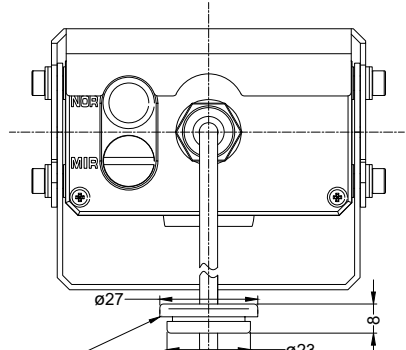


VIEW A

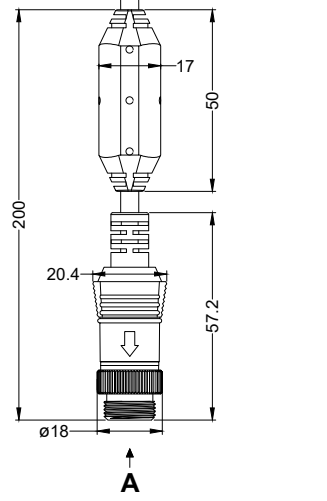


8P FEMALE MATING FACE

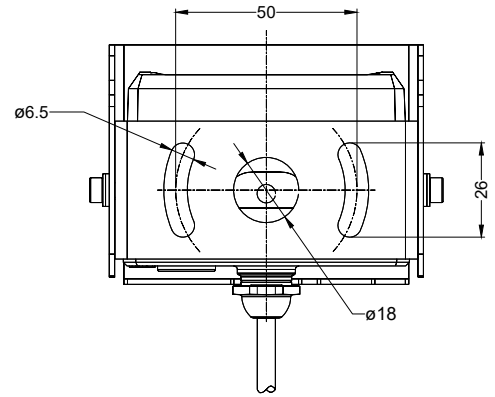
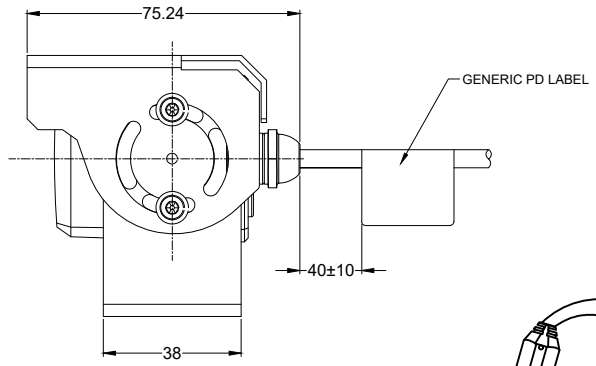
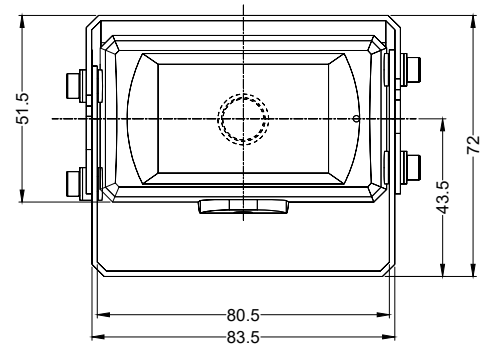
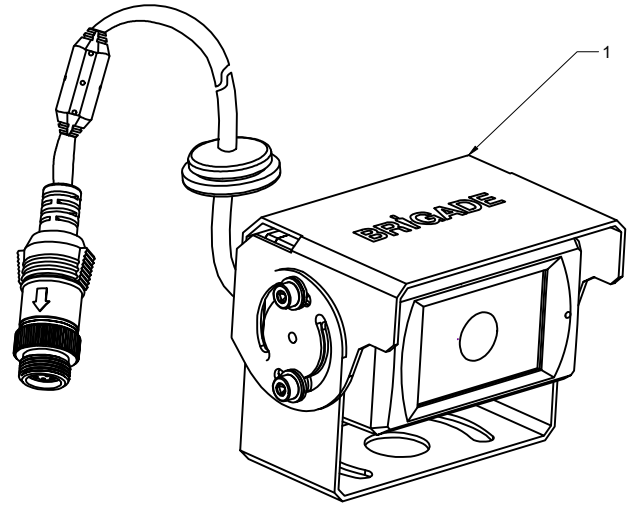
PIN #	DESCRIPTION
1	-
2	AUDIO
3	SHIELD
4	VCC
5	ALARM OUT
6	-
7	-
8	VIDEO



MOVEABLE RUBBER GROMMET



NON-MENTIONED TOLERANCES (mm)	
DIMENSION RANGE	TOLERANCE
>0.5-6	±0.3
>6-30	±0.8
>30-120	±1.2
>120-400	±2
>400	±3



- NOTES:
- 26AWG(7/0.16) WIRE
 - FOR DETAIL OF POWER CABLE SEE BE-004819-00-23
 - HOUSING MATERIAL IS ALUMINUM
 - FOR LABEL AND PACKAGING DETAILS REFER TO MASTER BOM.
 - ANY CUSTOMER MODIFICATION OF THIS PRODUCT CAUSING SUBSEQUENT FAILURE IS NOT A LIABILITY OF BRIGADE ELECTRONICS GROUP PLC.

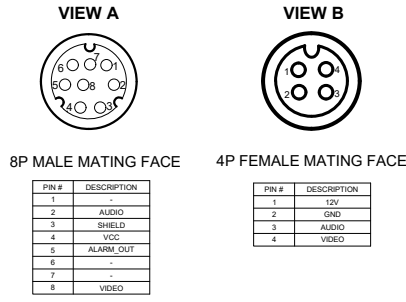
PROPRIETARY NOTICE
 THIS DESIGN AND TECHNICAL INFORMATION APPEARING ON THIS DRAWING IS THE PROPERTY OF BRIGADE ELECTRONICS, AND IS DISCLOSED IN CONFIDENCE. IT IS NOT TO BE COPIED, REPRODUCED, REVEALED TO OR EXPROPRIATED BY OTHERS, EITHER IN WHOLE OR IN PART WITHOUT THE EXPRESS WRITTEN CONSENT OF BRIGADE ELECTRONICS.



Assembly PI Approval	Approved by JN BATOUR	Checked by R.TIMMS	Drawn by A.KING
Sheet No 1 of 1	Angle of Projection 	Units mm	Scale N/A
		Released 10/07/23	Assembly Ref -
		Status RELEASED	VBV-22X0C-AI-DXX
		Part No VARIOUS	BE-004818-00-23

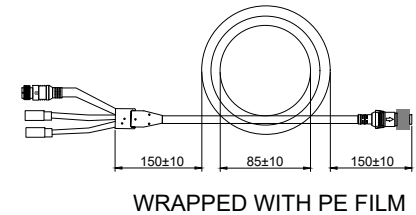
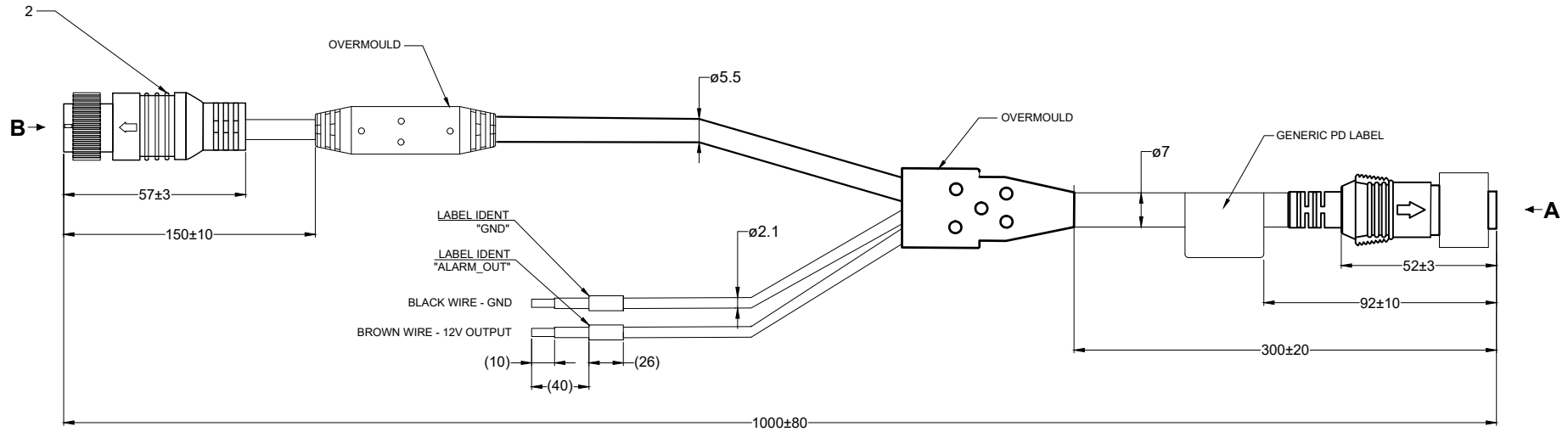
VBV-2220C-AI-D04 (7321) CONTAINS:				
S/N	BRIGADE MODEL NO.	PART NO.	DESCRIPTION	QTY
1	VBV-2220C-AI-D04-C	7389	CAMERA ONLY	1
2	VBV-22X0C-CA	S7346	8PIN TO 4PIN CAMERA CABLE	1
3	VBV-22X0C-AI-AK3	7345	3MM ALLEN KEY	1 (NOT SHOWN)
4	VBV-2220C-AI-D04 BROWN GIFT BOX	7334	VBV-2220C-AI-D04 BROWN GIFT BOX	1 (NOT SHOWN)

VBV-2230C-AI-D04 (7396) CONTAINS:				
S/N	BRIGADE MODEL NO.	PART NO.	DESCRIPTION	QTY
1	VBV-2230C-AI-D04-C	7397	CAMERA ONLY	1
2	VBV-22X0C-CA	S7346	8PIN TO 4PIN CAMERA CABLE	1
3	VBV-22X0C-AI-AK3	7345	3MM ALLEN KEY	1 (NOT SHOWN)
4	VBV-2230C-AI-D04 BROWN GIFT BOX	7334	VBV-2230C-AI-D04 BROWN GIFT BOX	1 (NOT SHOWN)



Revision Notes:				
APA:	Drawn:	Checked:	Approved:	Date:

PINS CONNECTOR	1	2	3	4	5	6	7	8
A	-	AUDIO	SHIELD	VCC	ALARM_OUT	-	-	VIDEO
B	12V	GND	AUDIO	VIDEO	-	-	-	-
C	12V OUTPUT	GND	-	-	-	-	-	-



PROPRIETARY NOTICE
THIS DESIGN AND TECHNICAL INFORMATION APPEARING ON THIS DRAWING IS THE PROPERTY OF BRIGADE ELECTRONICS, AND IS DISCLOSED IN CONFIDENCE. IT IS NOT TO BE COPIED, REPRODUCED, REVEALED TO OR EXPROPRIATED BY OTHERS, EITHER IN WHOLE OR IN PART WITHOUT THE EXPRESS WRITTEN CONSENT OF BRIGADE ELECTRONICS.



Assembly Pt Approval	Approved by JN BATOUR	Checked by R.TIMMS	Drawn by A.KING
Sheet No 1 of 2	Units mm	Scale N/A	Released 10/07/23
Angle of Projection Third Angle	Status RELEASED	Assembly Ref VBV-22X0C-AI-DXX	
	Part No VARIOUS	BE-004818-00-23	